



Atlas® Retractable Pendant

P2 Series

General Product Overview

Brandon Medical Ceiling Mounted Retractable Pendants are supplied at the customer specified height. The 300x300mm square column is powder coat finished to RAL9010 and supplied with a ceiling cover. Every pendant is bespoke, allowing for a wide range of 13A switched sockets, data sockets, equipotential earth sockets as well as up to 9 Medical Gas Terminals.

Height can be adjusted by up to 300mm using the electrically powered motor.

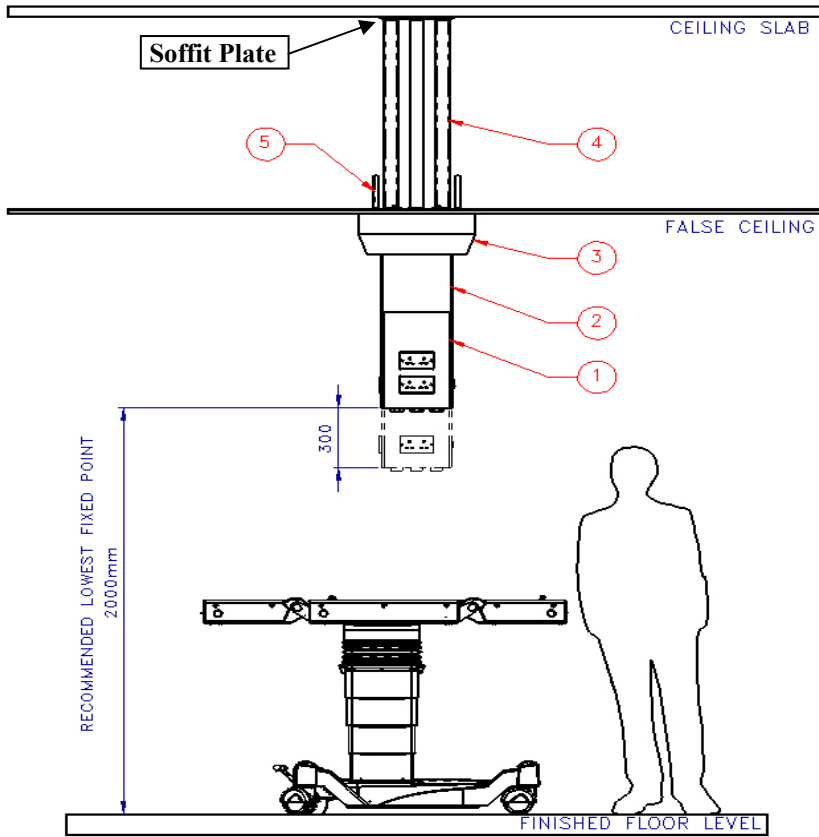
Main Features

- Modular and configurable design
- P2 series is available in different lengths to suit specific requirements
- Vertical mounted gas terminals. All terminal units used for medical gas are: Penlon East / Medaes Gem 10
- Low maintenance
- Manufactured in the UK

Standards

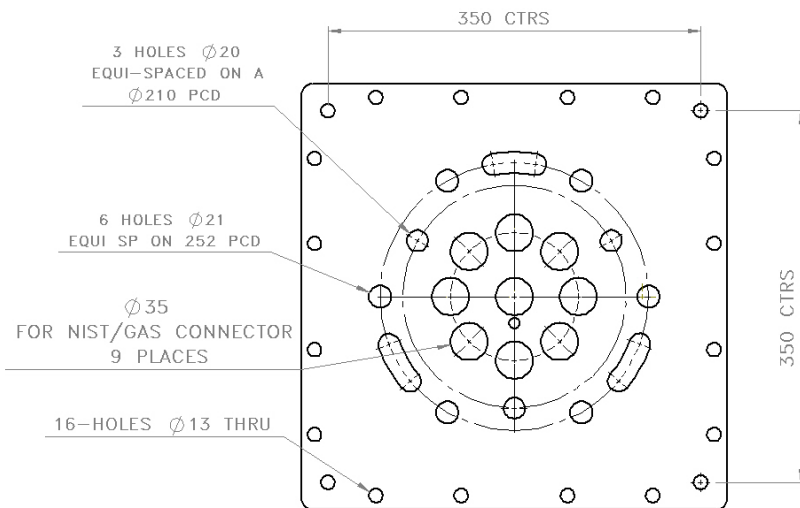
- HTM 02-01:
Health Technical Memorandum Medical Gas Pipeline Systems
- BS EN 7396:
Medical Gas Pipelines for Compressed Medical Gases and Vacuum
- BS EN 9170:
Terminal Units for use with Compressed Medical Gases and Vacuum
- BS EN 15908:
Non-interchangeable screw Threaded (NIST) Low-pressure Connectors for Medical Gases



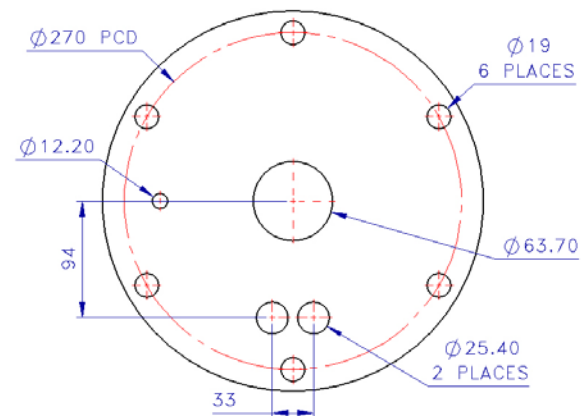


Item 1	Retractable Pendant Body
Item 2	Pendant Outer Body
Item 3	Ceiling Cover
Item 4	Adjustable Ceiling Spacer
Item 5	Adjustable Drop Rods

Description	Weight
First Fix Spacer	31kg
Pendant	70kg
Total	101kg



First Fix Plate



Soffit Plate